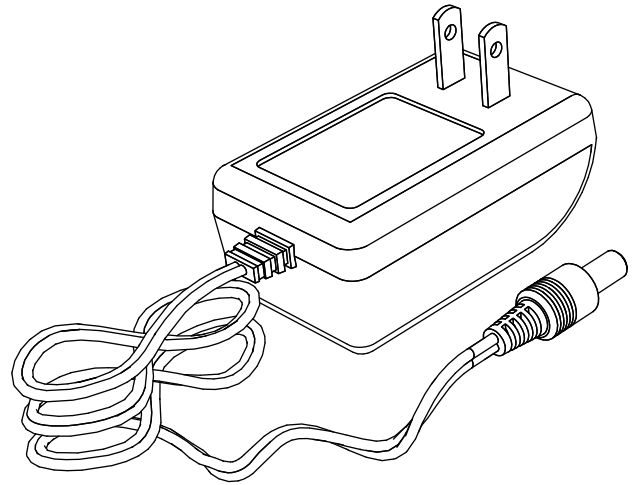


## Individual Plug-In Power Supply for Serena, Sivoia QS Triathlon & Sivoia QS Triathlon WIDR Smart Shades

The Lutron Smart Shades Individual Plug-In Power Supply is a 12 V wall plug-in transformer designed to power one insulating honeycomb or roller shade.

### Features

- Electronic over current and over temperature protection
- Simple installation - supply output plug can be connected directly to an insulating honeycomb or roller shade
- Compliant with U.S. Department of Energy Efficiency Level VI regulations for External Power Supplies
- Limited Warranty:  
see [www.lutron.com/window\\_systems\\_warranty.pdf](http://www.lutron.com/window_systems_warranty.pdf)



## Specifications

### Ratings

- Input Voltage: 100-240 V~
- Input current: 400 mA
- Operating frequency: 50/60 Hz
- Output Voltage: 12 V==
- Output Current: 700 mA
- ESD Protection: (+/-) 16 kV
- Over Current Protection: Electronic Automatic Reset
- Plug Type: Unpolarized NEMA 1-15
- **Output Connection: 12 in wire w/barrel plug**
- Weight: 0.25 lbs (0,11 kg)

### Environment

- Ambient Temperature Operating Range: 32 °F to 104 °F (0 °C to 40 °C)
- Relative humidity: 0% to 90% non-condensing
- For indoor use only

### Regulatory

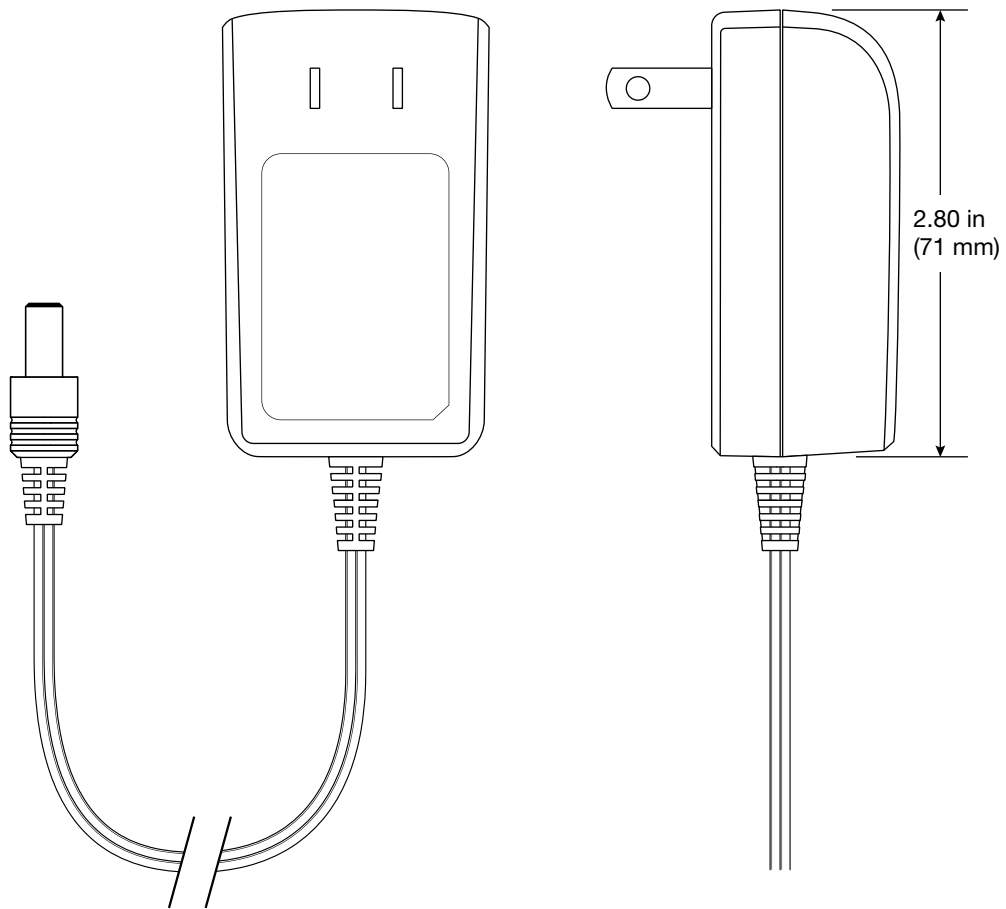
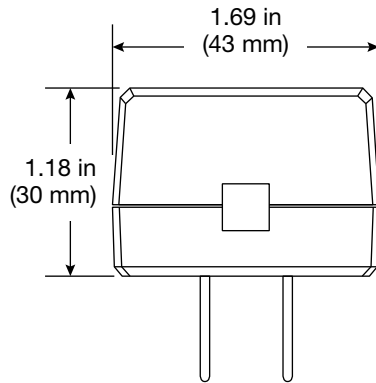
- cULus
- NOM
- FCC

Job Name:

Model Numbers:

Job Number:

Dimensions



<b>Job Name:</b>	<b>Model Numbers:</b>
<b>Job Number:</b>	